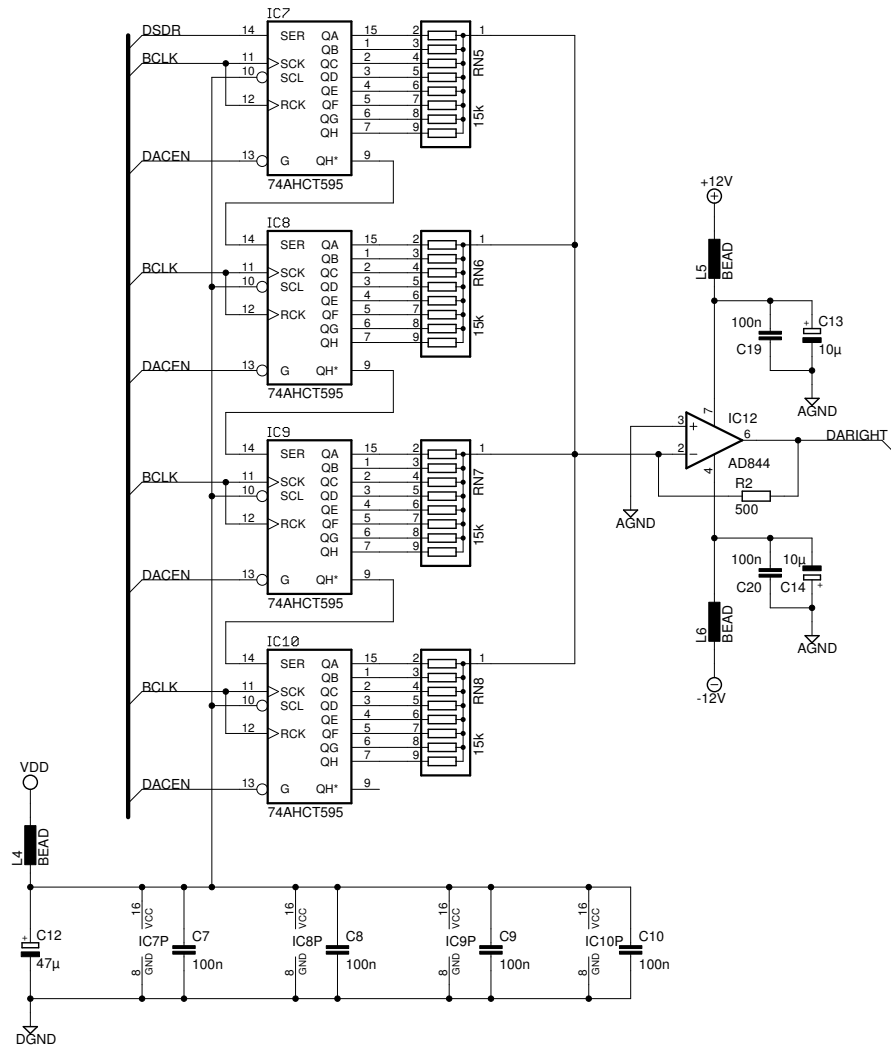


Signalyst DSC1
 Copyright (C) 2014 Jussi Laako / Signalyst
<http://www.signalyst.com> - info@signalyst.com
 Licensed under CERN OHL v1.2

TITLE: Dsc1	
Document Number: Input and left channel DAC	REV: A
Date: 3/20/14 1:10 AM	Sheet: 1/5



Signalyst DSC1
 Copyright (C) 2014 Jussi Laako / Signalyst
<http://www.signalyst.com> - info@signalyst.com
 Licensed under CERN OHL v1.2

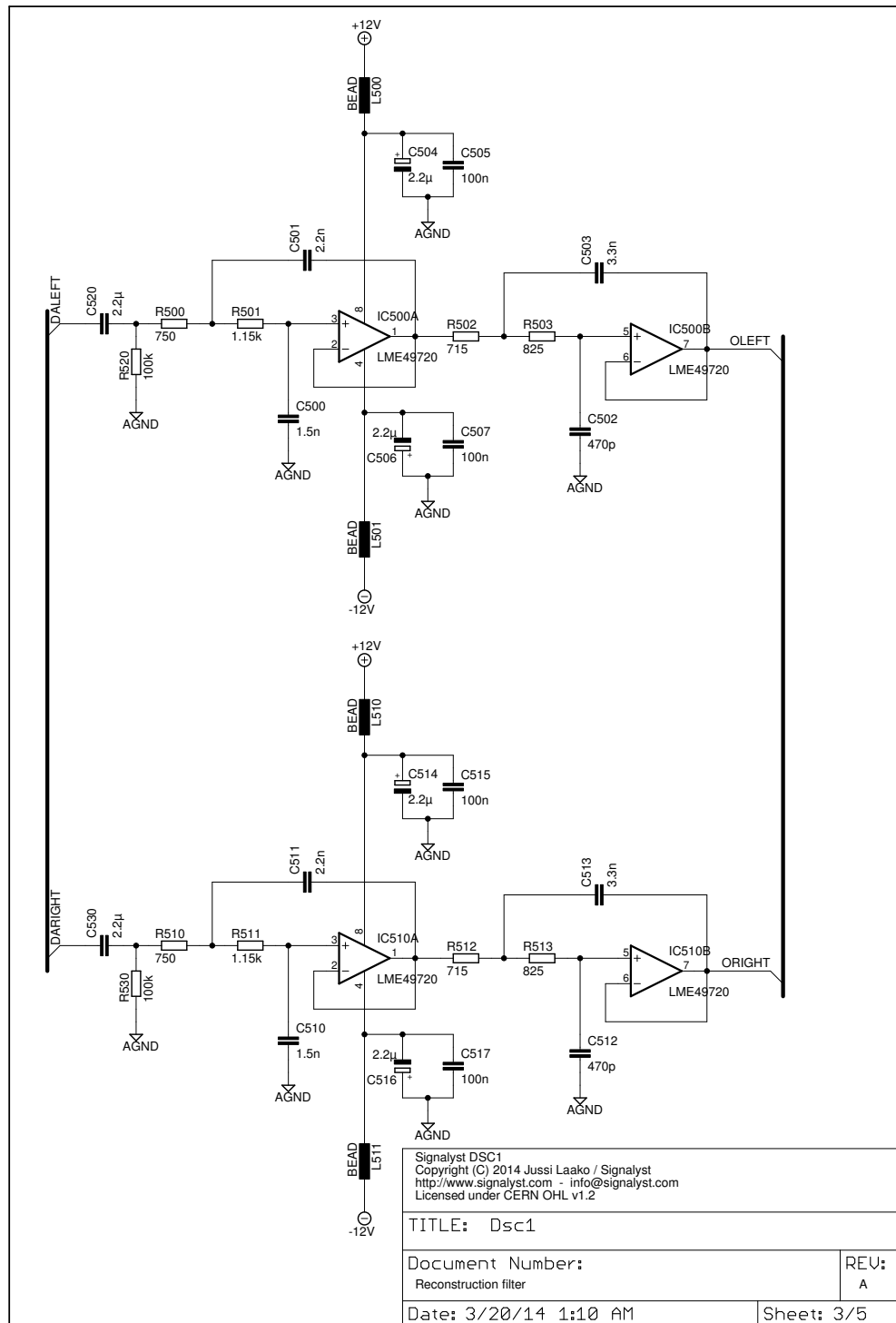
TITLE: Dsc1

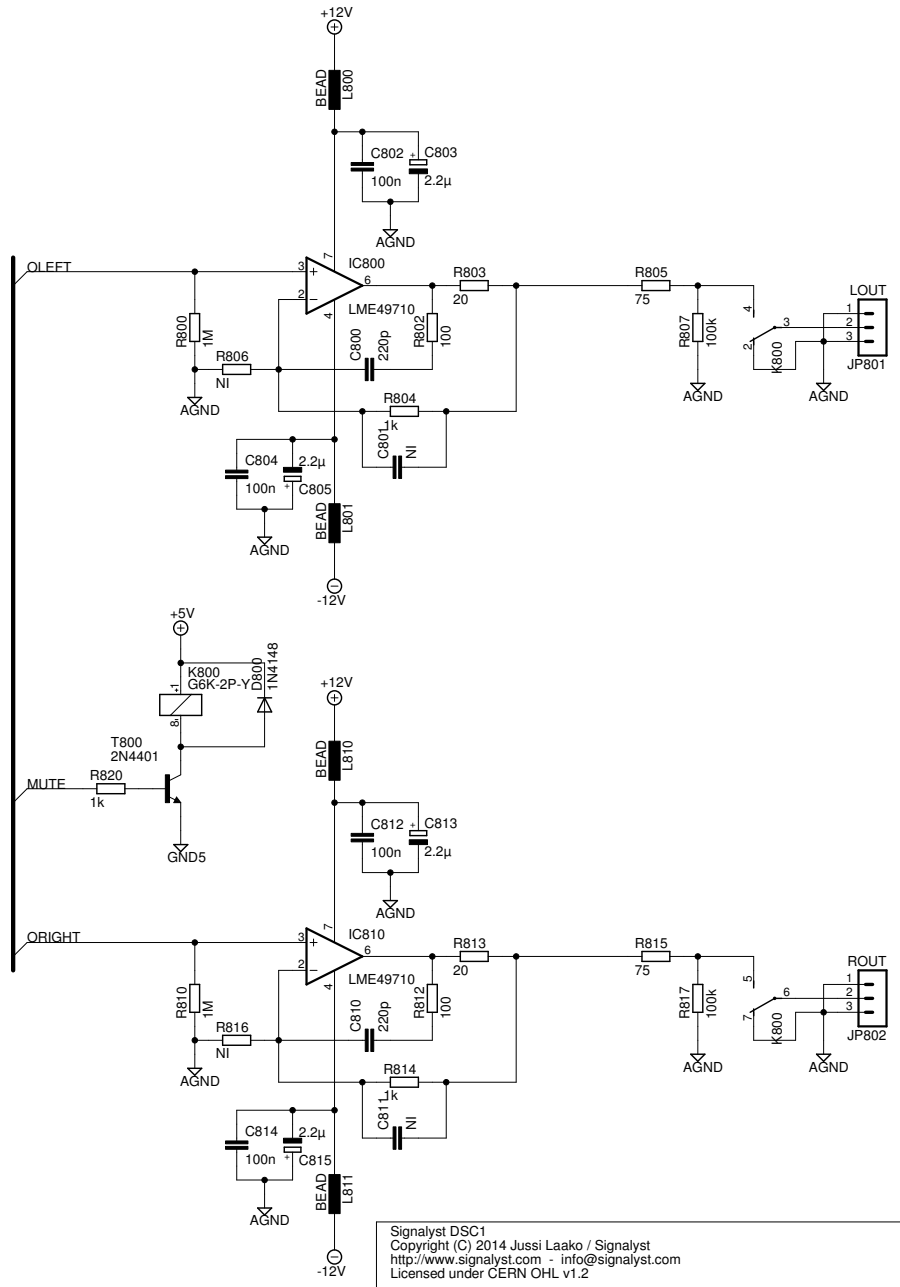
Document Number:
 Right channel DAC

REV:
 A

Date: 3/20/14 1:10 AM

Sheet: 2/5



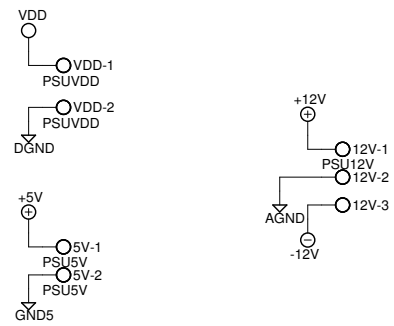


Signalyst DSC1
 Copyright (C) 2014 Jussi Laako / Signalyst
<http://www.signalyst.com> - info@signalyst.com
 Licensed under CERN OHL v1.2

TITLE: Dsc1

Document Number: Output buffer	REV: A
-----------------------------------	-----------

Date: 3/20/14 1:10 AM	Sheet: 4/5
-----------------------	------------



- H1 MOUNT-HOLE3.0
- H2 MOUNT-HOLE3.0
- H3 MOUNT-HOLE3.0
- H4 MOUNT-HOLE3.0

Signalyst DSC1 Copyright (C) 2014 Jussi Laako / Signalyst http://www.signalyst.com - info@signalyst.com Licensed under CERN OHL v1.2	
TITLE: Dsc1	
Document Number: Power supply inputs	REV: A
Date: 3/20/14 1:10 AM	Sheet: 5/5