

Data sheet: Safety isolating transformers type APT

Description.....: safety isolating transformer constructed and tested according to
VDE 0570/EN 61 558 ; UL506 ; CSA 22.2

Test voltage..... PRI - SEC 5000 V, 50 Hz

Short-circuit protection: non-inherently short-circuit proof

Construction.....: open design, potted in insulation housing

Protection class: prepared for protection class II

Protection index: connections IP 00
housing IP 65

Max ambient temperature: + 40 °C

Insulation class of the
insulation system.....: VDE (B=130°C) ; UL + CSA Class 105 (A =105°C)

Input voltage: 115 V

Frequency.....: 50 - 60 Hz

Output voltage.....: according to table

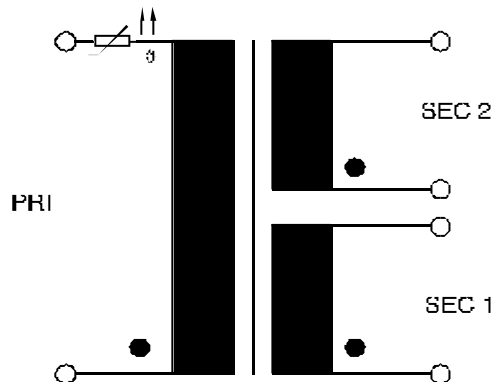
Connections: soldering pins 0,8 mm Ø, for printed circuit board mounting

Mounting.....: additional method of mounting with self tapping screws

Extras: Phillips self tapping screws (type LS), 2,9 x 9,5mm DIN 7981
LS10 package 10 pieces
LS100 package 100 pieces
LS1000 package 1000 pieces

Packing.....: separately packed in cartons

Schematic plan :



Description :

These high quality short circuit proof encapsulated safety isolating transformers, have dual output windings for series or parallel connection, giving a wide range of application possibilities.

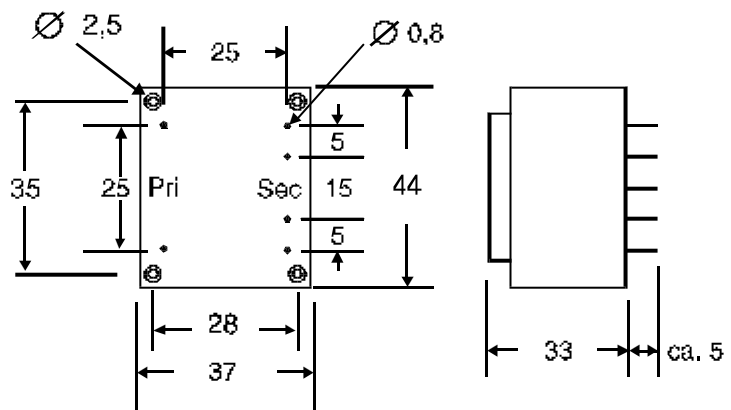
They are protected against short circuit and overload by an internal PTC device, which allows normal operation to be resumed once the overload or short circuit has been removed, the transformer disconnected from the supply and normal temperature has been reached. These transformers are designed for printed circuit board mounting . Fixing can be supplemented by four self tapping screws using holes moulded into the corners of the case.

Note :

- * vacuum epoxy resin moulded
- * self extinguishing epoxy resin UL 94 V-0 listed
- * Compact design

Output power 4,5 VA Core-type EI 42/14,8
 Height 33 mm Weight 190 g
 Ground area 44 mm x 37 mm

Type	SEC rated output-		Approvals
	voltage V	current A	
APT4,5/2/6	2x6	2x0,375	1
APT4,5/2/8	2x8	2x0,281	1
APT4,5/2/9	2x9	2x0,250	1
APT4,5/2/12	2x12	2x0,187	1
APT4,5/2/15	2x15	2x0,150	1
APT4,5/2/18	2x18	2x0,125	1
APT4,5/2/24*	2x24	2x0,093	1



according to VDE 0570/EN 61 558 -1 : 1997 with part 2-6
 *according to VDE 0570/EN 61 558 -1 : 1997 with part 2-1

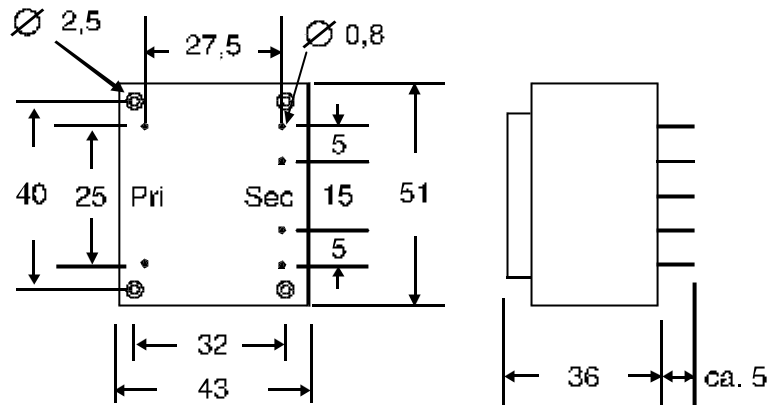
No load output voltage x Factor = typ. 1,32
 No load (active) power typ. 1,2 W
 Efficiency typ. 65 %



transformer specification updated 06/2001
 BLOCK TRANSFORMATOREN ELEKTRONIK GMBH & CO. KG, 27283 VERDEN, GERMANY

Output power 7,5 VA Core-type EI 48/16,8
 Height 36 mm Weight 280 g
 Ground area 51 mm x 43 mm

Type	SEC rated output-		Approvals
	voltage V	current A	
APT7,5/2/6	2x6	2x0,625	1
APT7,5/2/8	2x8	2x0,468	1
APT7,5/2/9	2x9	2x0,416	1
APT7,5/2/12	2x12	2x0,312	1
APT7,5/2/15	2x15	2x0,25	1
APT7,5/2/18	2x18	2x0,208	1
APT7,5/2/24*	2x24	2x0,156	1



according to VDE 0570/EN 61 558 -1 : 1997 with part 2-6
 *according to VDE 0570/EN 61 558 -1 : 1997 with part 2-1

No load output voltage x Factor = typ. 1,21
 No load (active) power typ. 1,5 W
 Efficiency typ. 65 %

Approvals



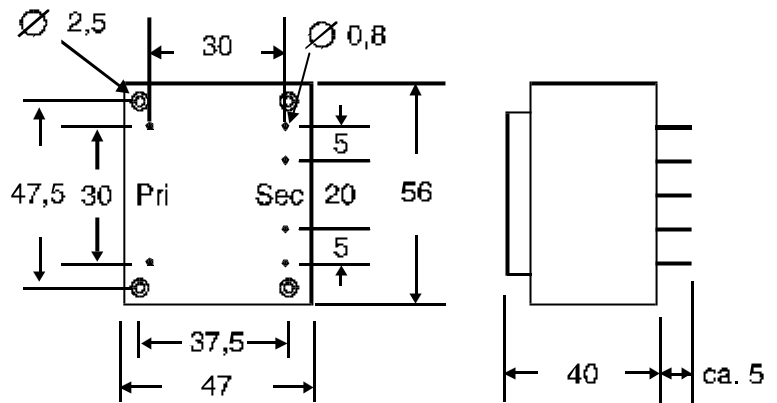
Output power 13 VA Core-type EI 54/18,8

Height 40 mm

Weight 420 g

Ground area 56 mm x 47 mm

Type	SEC rated output-		Approvals
	voltage V	current A	
APT13/2/6	2x6	2x1,083	1
APT13/2/8	2x8	2x0,812	1
APT13/2/9	2x9	2x0,722	1
APT13/2/12	2x12	2x0,541	1
APT13/2/15	2x15	2x0,433	1
APT13/2/18	2x18	2x0,361	1
APT13/2/24*	2x24	2x0,271	1



according to VDE 0570/EN 61 558 -1 : 1997 with part 2-6

*according to VDE 0570/EN 61 558 -1 : 1997 with part 2-1

No load output voltage x Factor = typ. 1,23
 No load (active) power typ. 1,3 W
 Efficiency typ. 73 %

Approvals



transformer specification

updated 06/2001

BLOCK TRANSFORMATOREN ELEKTRONIK GMBH & CO. KG, 27283 VERDEN, GERMANY

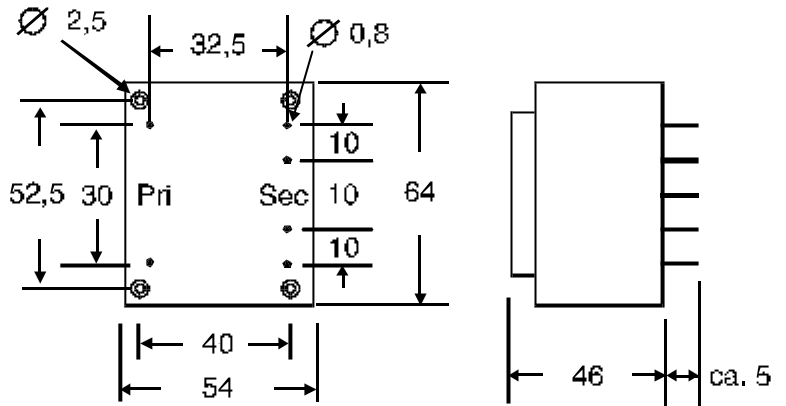
Output power 22 VA Core-type EI 60/21

Height 46 mm

Weight 565 g

Ground area 64 mm x 54 mm

Type	SEC rated output-		Approvals
	voltage V	current A	
APT22/2/6	2x6	2x1,83	1
APT22/2/8	2x8	2x1,375	1
APT22/2/9	2x9	2x1,222	1
APT22/2/12	2x12	2x0,916	1
APT22/2/15	2x15	2x0,733	1
APT22/2/18	2x18	2x0,611	1
APT13/2/24*	2x24	2x0,458	1



according to VDE 0570/EN 61 558 -1 : 1997 with part 2-6

*according to VDE 0570/EN 61 558 -1 : 1997 with part 2-1

No load output voltage x Factor = typ. 1,19
 No load (active) power typ. 2,5 W
 Efficiency typ. 77 %

Approvals  (1)

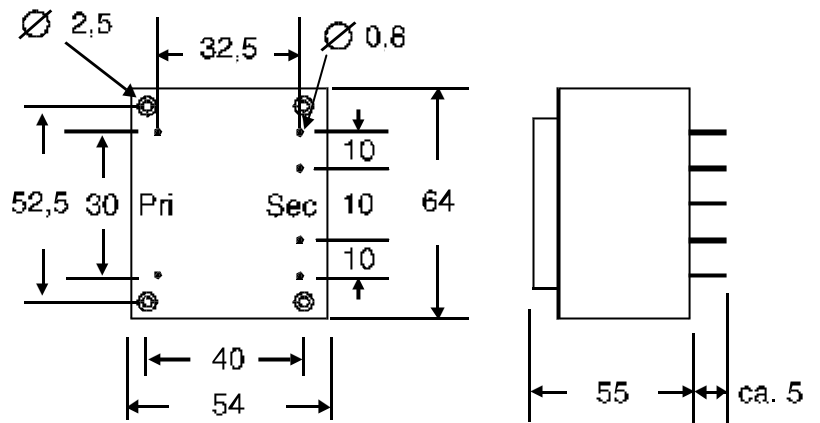
Output power 30 VA Core-type EI 60/30,5

Height 55 mm

Weight 775 g

Ground area 64 mm x 54 mm

Type	SEC rated output-		Approvals
	voltage V	current A	
APT30/2/6	2x6	2x2,500	1
APT30/2/8	2x8	2x1,875	1
APT30/2/9	2x9	2x1,666	1
APT30/2/12	2x12	2x1,250	1
APT30/2/15	2x15	2x1,000	1
APT30/2/18	2x18	2x0,833	
APT30/2/24*	2x24	2x0,625	1



according to VDE 0570/EN 61 558 -1 : 1997 with part 2-6

*according to VDE 0570/EN 61 558 -1 : 1997 with part 2-1

No load output voltage x Factor = typ. 1,13
 No load (active) power typ. 2,7 W
 Efficiency typ. 83 %

Approvals



transformer specification

updated 06/2001

BLOCK TRANSFORMATOREN ELEKTRONIK GMBH & CO. KG, 27283 VERDEN, GERMANY