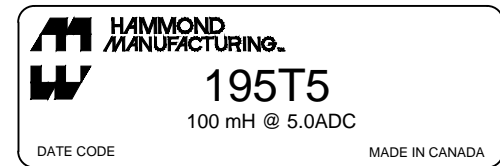
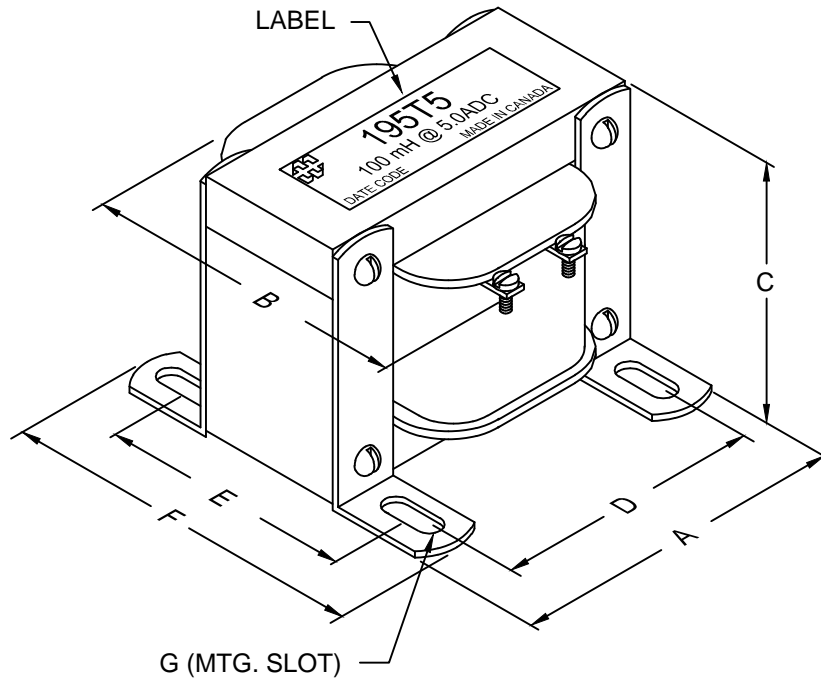
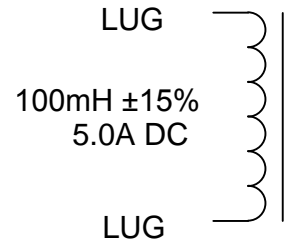


DIMENSIONS:

| | |
|---|------------------------|
| A | 4.50" ±0.063 |
| B | 5.25" MAX. |
| C | 3.75" ±0.063 |
| D | 3.75" ±0.063 |
| E | 3.50" ±0.063 |
| F | 4.063" ±0.063 |
| G | 0.203" X 0.375" ±0.015 |

SCHEMATIC



ELECTRICAL DATA:

| TESTS | CONDITIONS | ACCEPTANCE CRITERIA |
|-----------------|-----------------------|---------------------|
| I _{ex} | @ 5.0V, 60Hz, | 92.2mA - 124.8mA |
| Inductance | @ 5.0ADC = | 100mH ± 15% |
| DCR | @ 20°C, LUG - LUG = | 0.640 Ω ±20% |
| | OPERATING VOLTAGE | 750 VAC max. |
| | OPERATING VOLTAGE | 600 VDC max. |
| | OPERATING TEMPERATURE | CLASS B 130°C |
| HIPOT | PRIMARY - CORE | 2000V, 60Hz, 1 SEC |
| WEIGHT | | 14 LBS. |

PROPERTY AND COPYRIGHT NOTICE

THIS DRAWING AND THE INFORMATION IT CONVEYS ARE THE PROPERTY OF HAMMOND MANUFACTURING. IT MAY NOT BE REPRODUCED, TRANSMITTED OR USED IN ANY MANNER WHATSOEVER WITHOUT THE WRITTEN PERMISSION OF HAMMOND MANUFACTURING.

| | | | | | | | | |
|--------------|-----------------|-------------|-------------------------|--------------------------------|-------------------------------------|-----------------------------------|----------------------------|-----------------------------|
| REV.# | REVISION | DATE | | ELECTRONIC DIVISION | 52 RANKIN PLACE, | WATERLOO, ONTARIO, N2J 3Z5 | PH # (519) 886-6181 | FAX # (519) 886-9540 |
| 0 | RELEASED. | 04/30/2014 | | | | | | |
| | | | DWG. BY: C. BACK | CHK'D BY: | TITLE: HIGH CURRENT INDUCTOR | | DWG. NO. 195T5 | |
| | | | DATE: 04/30/2014 | APP'D. BY: | | | | |
| | | | | DIMENSIONS: IN(X) MM() | | | | |