

SERVICE MANUAL



POWERED SUBWOOFER

CONTENTS

SPECIFICATIONS	2-8
PARTS LIST:	
PRE AMPLIFIER BOARD	9-10
POWER AMPLIFIER BOARD	10-11
VOLTAGE SELECTOR BOARD	12
PRE AMP AND POWER AMP ASSEMBLY	12
8" SPEAKER ASSEMBLY	13
POWER CORD CABLE ASSEMBLY	13
BLOCK DIAGRAM	14
SCHEMATIC DIAGRAMS	15-16
PCB LAYOUT	17
EXPLODED VIEW DIAGRAMS	18-19

SPECIFICATIONS

System Specifications

Frequency Response	70-20K Hz
Sensitivity	85+/-2dB
Power Handling	70W Max
Dimension (W x D x H)	198 x 130 x 150 mm
Weight	2.1kg
HF	12mm (0.5") tweeter
LF	100mm (4")
Crossover Frequency	3KHZ
Impedance	4 OHM

Woofers Specifications

Rated Impedance	3.8 ohms +/- 0.8 at 1V 500 Hz
Voice coil DCR	3 +/-0.15 ohm
Sweep Test	Sine Wave 4V at 20-20K Hz
Resonant Frequency (Fo)	65 +/- 15 Hz
Sensitivity	85 dB/W/m
Rated Power Input	30W
Maximum Power Input	60W
Power Test	15W Music Max/Channel 30W RMS/Channel (The rated power is verified by performing power handling test by feeding rated output with "IEC268-5" for 8 hours)
Main Magnet	Ø74 x Ø38 x 15mm
Bucking Magnet	Ø55 x Ø26 x 9mm

Tweeter Specifications

Rated Impedance	4+/-0.8 OHM at 1V 5K Hz
Voice coil DCR	3.2 +/-0.16 OHM
Sweep Test	Sine Wave 1 V at 500-20K Hz
Resonant Frequency (Fo)	2500 +/- 240 Hz
Sensitivity	89 +/-2dB/W/m
Frequency Response	Fo - 20K Hz
Rated Power Input	30W
Main Magnet	Ø10 x 2mm
Magnet Material	N35

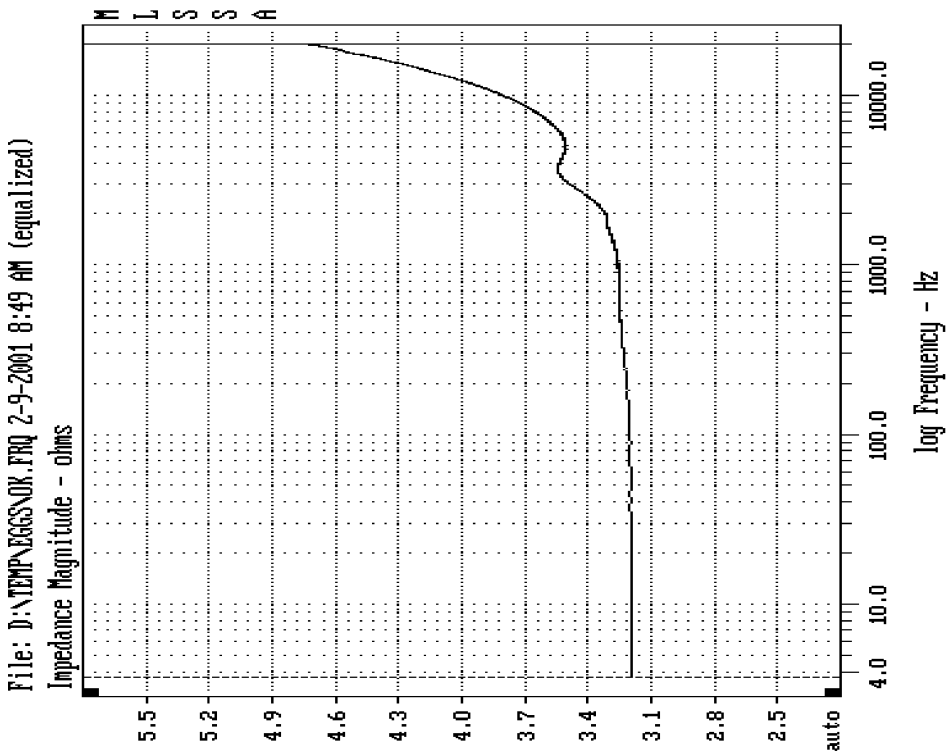
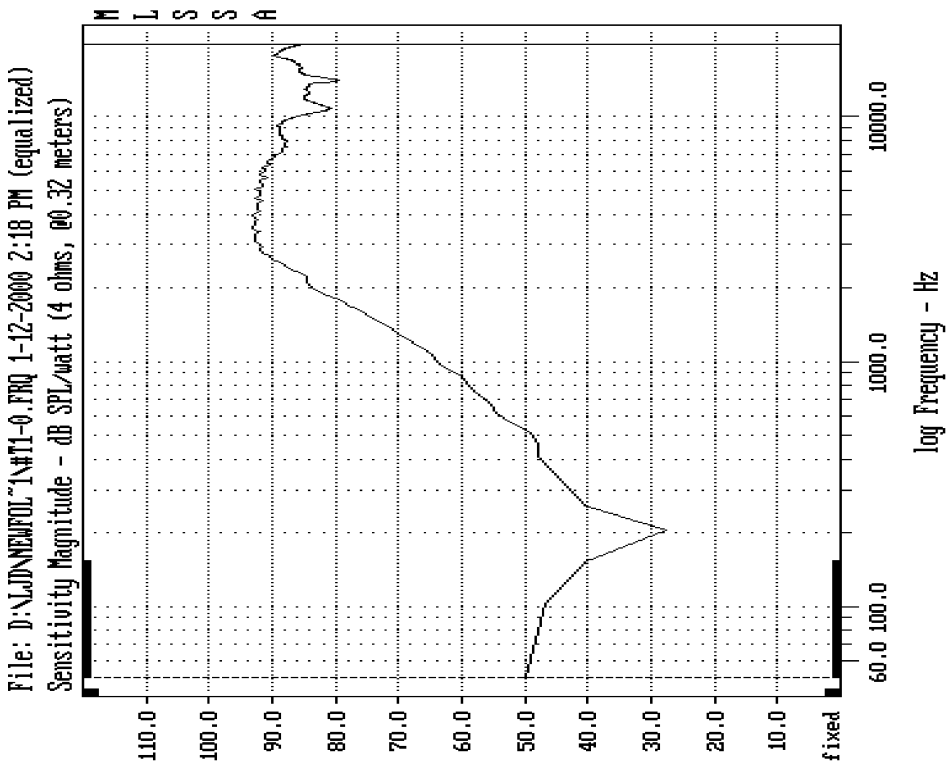
POWERED SUBWOOFER
SPECIFICATIONS
Subwoofer Specifications

	<u>Typical</u>	<u>LIMIT</u>	<u>UNIT</u>
1) CONTINUOUS POWER (@ 90Hz, 0.1% THD)	120	115	W
2) THD (@90Hz 110W)	0.08	0.09	%
3) CLIPPING POWER (Output 1% THD @ 90Hz)	125	120	W
4) INPUT SENSITIVITY @ 120W 4 ohm 70Hz LINE . INPUT VOL . Max SPK . INPUT VOL . Max	95 0.8	+/-10% +/-10%	mV V
5) S/N @ 12W 75Hz @ 120W 75Hz (A-WEIGHT, LINE INPUT)	90 100	85 95	dB dB
6) LOW PASS FILTER @ 75Hz Freq VOL Set to Max. Low -3dB Freq VOL Set to Max. Upper -3dB	50 115	+/-10% +/-10%	Hz Hz
7) LOW PASS FILTER @ 60Hz Freq VOL Set to Min. Low -3dB Freq VOL Set to Min. Upper -3dB	45 80	+/-10% +/-10%	Hz Hz
8) LOW PASS FILTER ROLL-OFF Freq VOL Set to Max.	22	+/-2	dB
9) LOW PASS FILTER ROLL-OFF Freq VOL Set to Min.	22	+/-2	dB
10) LINE OUTPUT @1V INPUT HI PASS FILTER -3dB (LINE IN @ 1KHz) Freq VOL Set to Max. Freq VOL Set to Min.	170 70	+/-10% +/-10%	Hz Hz
11) LINE OUTPUT @1V INPUT HI PASS FILTER ROLL-OFF LINE IN @ 1KHz (0 dB O/P Ref) Freq VOL Set to Max. Freq VOL Set to Min.	12 18	+/-2 +/-2	dB dB
12) LINE OUTPUT LINE IN @ 1KHz 1V INPUT (0 dB O/P Ref) Freq VOL Set to Max.	1.2	+/-10%	V

SPECIFICATIONS

13) SPEAKER OUTPUT HI PASS FILTER -3dB (SPEAKER IN @1KHz) @ 4 ohm Load	130	+/-10%	Hz
14) SPEAKER OUTPUT HI PASS FILTER ROLL-OFF SPEAKER IN @ 1KHz @ 4 ohm Load (0dB 1W 0/P Ref)	7	+/-1	dB
15) INPUT IMPEDANCE RCA SPEAKER	25K 200	15K +/-10	OHM OHM
16) AUTO TURN ON LEVEL	2.5	+/-1	mV
17) AUTO OFF DELAY TIME	50	40	Min
18) PHASE ADJUSTABLE @ 75-85Hz 10V O/P 0 Degree Ref: PHASE VOL SET Min to Max	0- 180	0-170	Degree
19) HUM & NOISE (17Hz -17KHz Filter) 10K OHM LOAD @ INPUT LEVEL VOL SET to Max FREQ VOL & PHASE VOL SET to min	3	5	mV
20) Current Consumption UL 115 Vac @ 120W OUTPUT @ IDLE CE 230 Vac @ 120W OUTPUT @ IDLE UK 230 Vac @ 120W OUTPUT @ IDLE	2.0 .07 1.5 .04 1.5 .04	2.5 .09 2.0 .06 2.0 .06	A A A A A A

SPECIFICATIONS



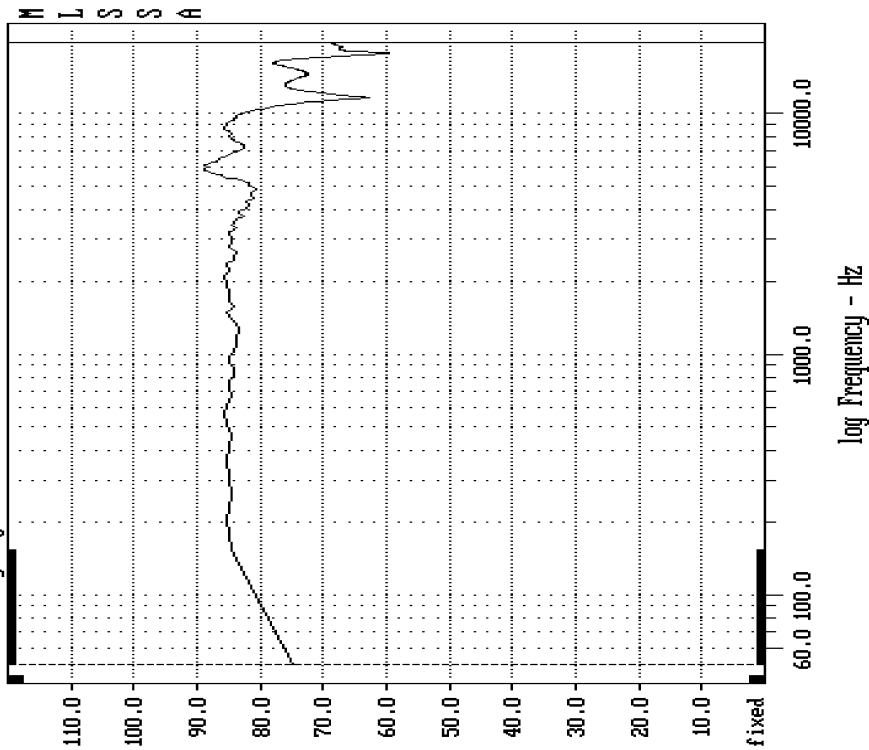
CURSOR: y = 4.76022 x = 20001.0356 (5407)

Autoscale off

F1 for Help
 FREQUENCY DOMAIN MENU: Go View Reference Acquisition Setup Transfer Macro QC
 Overlay Calculate Printer DOS Units Library Info Exit
 MLSSA: Frequency Domain

SPECIFICATIONS

File: D:\LD\NEWPOL\1\#1-2.FRQ 1-6-2000 9:43 AM (equalized)
Sensitivity Magnitude - dB SPL/watt (4 ohms, @0.32 meters)

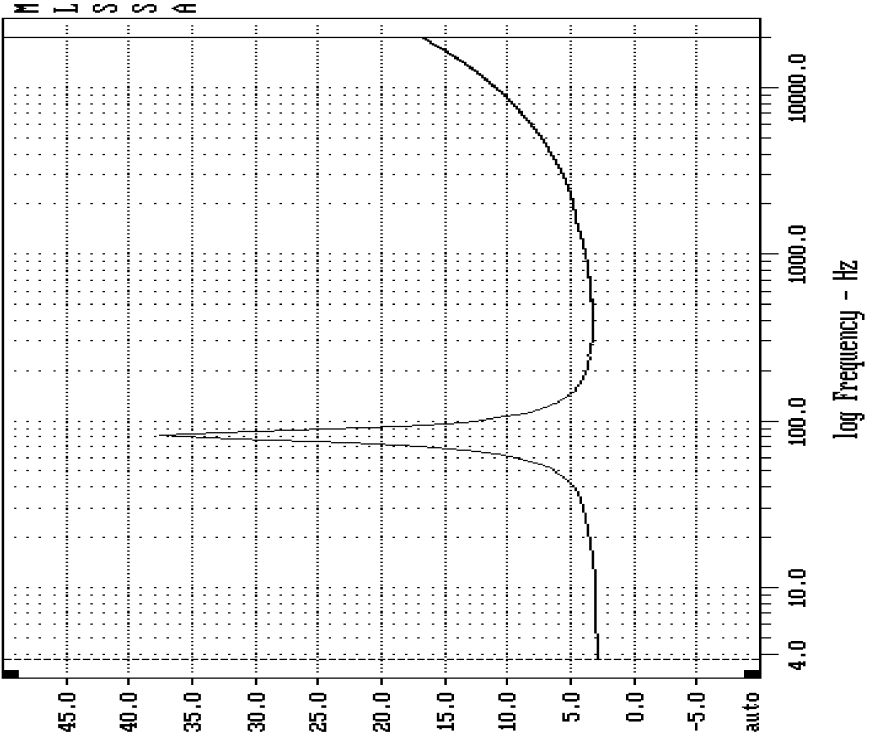


CURSOR: y = 70.1483 x = 19736.8426 (384)

F1 for Help
FREQUENCY DOMAIN MENU: Go View Reference Acquisition Setup Transfer Macro QC
Overlay Calculate Printer DOS Units Library Info Exit

MLSSA: Frequency Domain

File: D:\LD\NEWPOL\1\#1-0.FRQ 2-6-2001 5:08 PM (equalized)
Impedance Magnitude - ohms



CURSOR: y = 16.8334 x = 20001.0356 (5407)

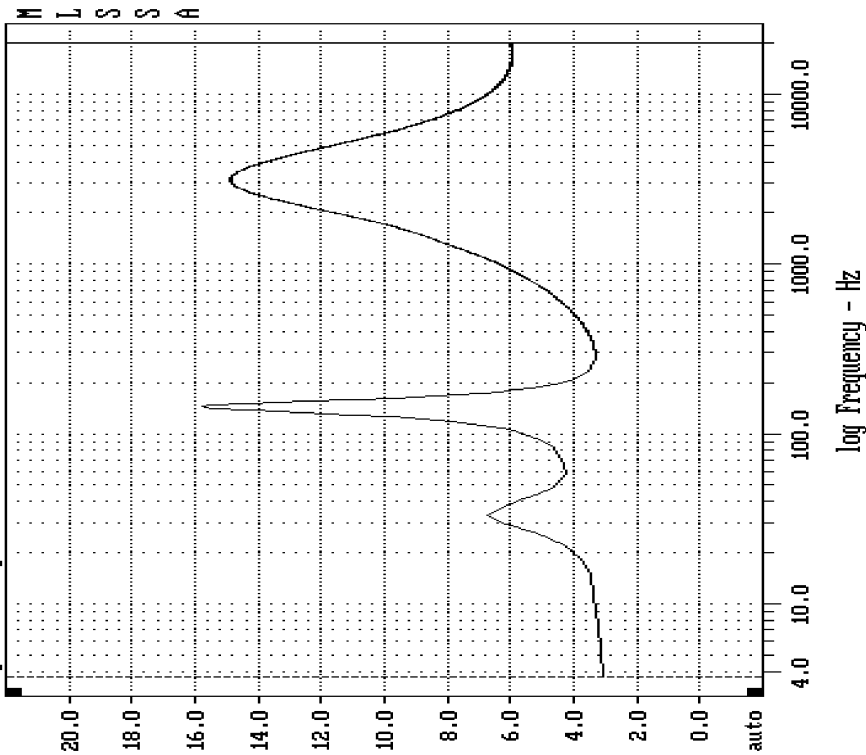
F1 for Help
FREQUENCY DOMAIN MENU: Go View Reference Acquisition Setup Transfer Macro QC
Overlay Calculate Printer DOS Units Library Info Exit

MLSSA: Frequency Domain

SPECIFICATIONS

File: D:\TEMP\EGGS\SYS.FAQ 2-9-2001 8:50 AM (equalized)

Impedance Magnitude - ohms



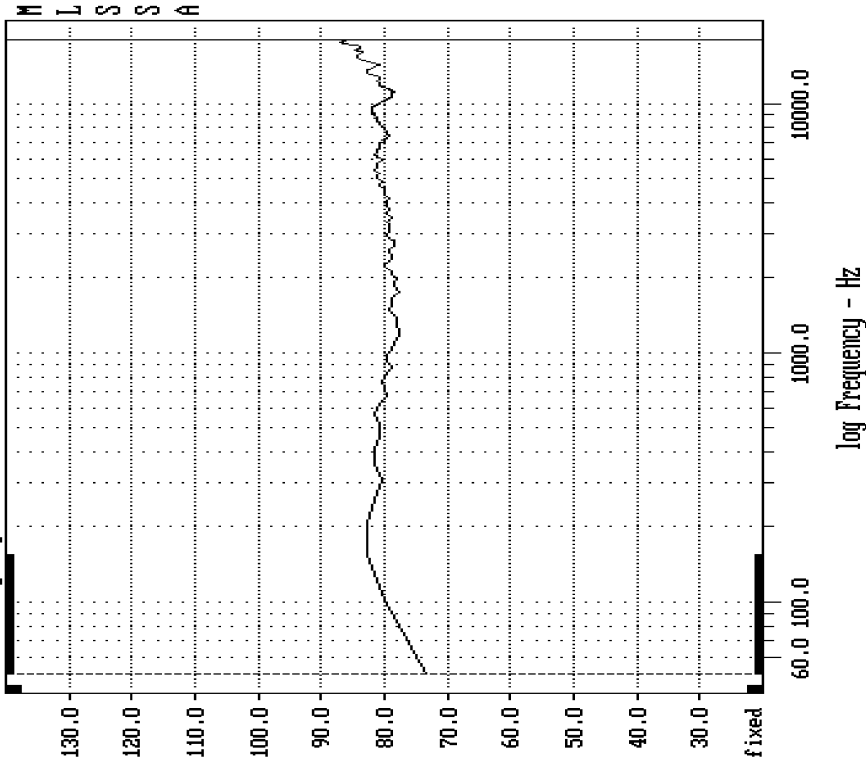
CURSOR: y = 6.05458 x = 20001.0356 (5407)

F1 for Help
FREQUENCY DOMAIN MENU: Go View Reference Acquisition Setup Transfer Macro QC
Overlay Calculate Printer DOS Units Library Info Exit

MLSSA: Frequency Domain F1 for Help

File: A:\HW-STD.FAQ 10-16-2000 10:22 AM (equalized)

Sensitivity Magnitude - dB SPL/watt (4 ohms, @0.32 meters)



Autoscale off

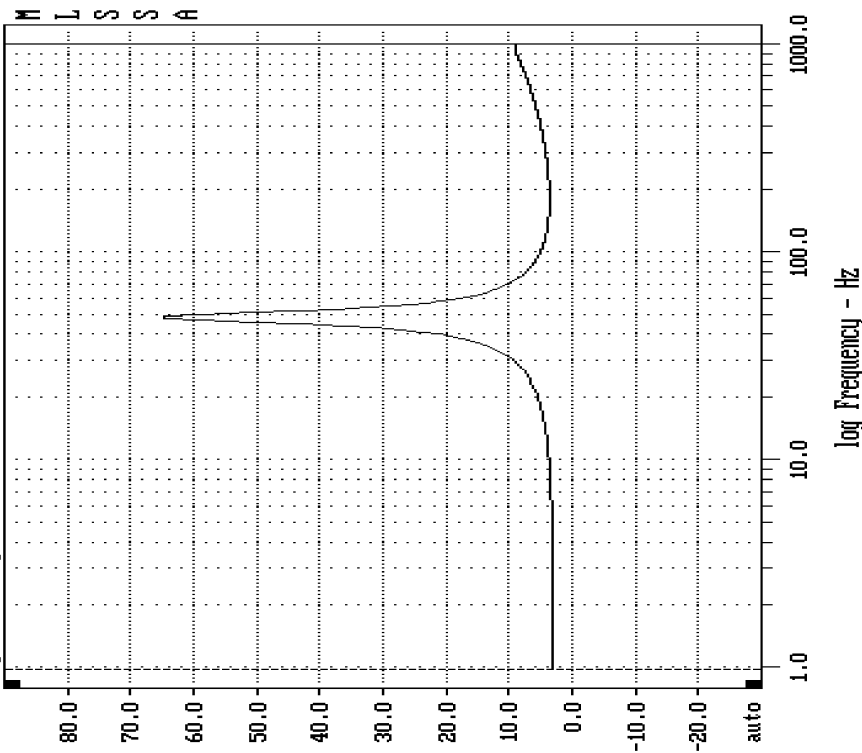
F1 for Help
FREQUENCY DOMAIN MENU: Go View Reference Acquisition Setup Transfer Macro QC
Overlay Calculate Printer DOS Units Library Info Exit

MLSSA: Frequency Domain

SPECIFICATIONS

File: D:\LJD\NEWFOU\1\WUF.FRQ 2-9-2001 2:03 PM (equalized)

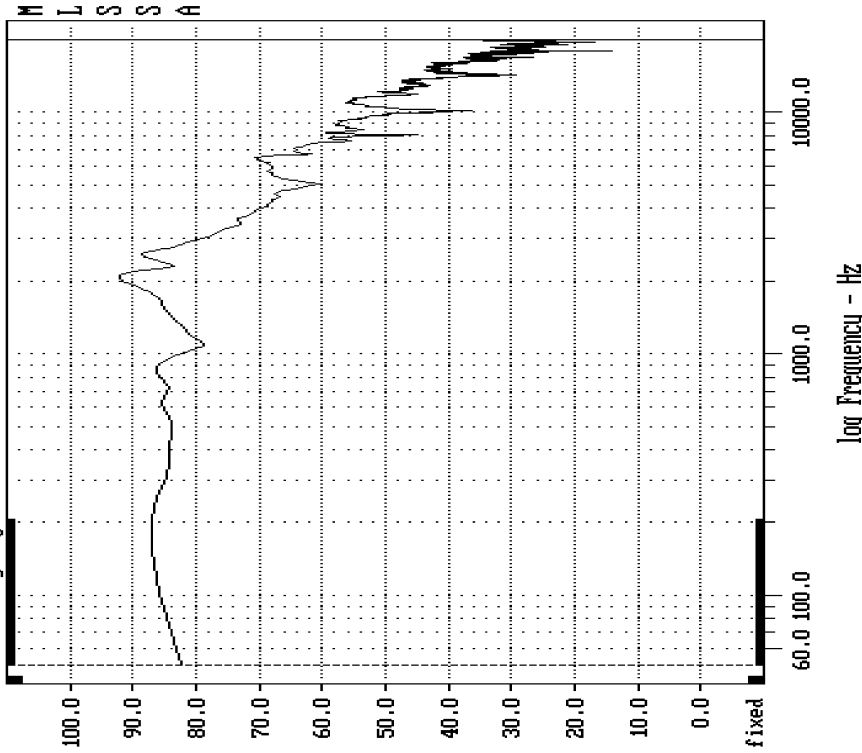
Impedance Magnitude - ohms



CURSOR: y = 9.09091 x = 1000.9766 (1025)

File: D:\LJD\NEWFOU\1\WUF.FRQ 2-9-2001 2:00 PM (equalized)

Sensitivity Magnitude - dB SPL/watt (4 ohms, @0.32 meters)



Autoscale off

F1 for Help
FREQUENCY DOMAIN MENU: Go View Reference Acquisition Setup Transfer Macro QC
Overlay Calculate Printer DOS Units Library Info Exit

MLSSA: Frequency Domain F1 for Help

F1 for Help
FREQUENCY DOMAIN MENU: Go View Reference Acquisition Setup Transfer Macro QC
Overlay Calculate Printer DOS Units Library Info Exit

MLSSA: Frequency Domain

POWERED SUBWOOFER
PARTS LIST
**PRE AMP SECTION
 PRINTED CIRCUIT BOARD ASSEMBLY**

QTY	PART NO	DESCRIPTION	LOCATION
1	150F-101K-5-IEA	CC 50V 100PF 10% RL 5X3	C29
1	150F-104M-N-FD	CC 50V 0.1 μ f 20% RLF	C27
2	150F-271K-5-IEA	CC 50V 270PF 10% RL 5x3	C3,11
4	150F-334M-N-JJA	CC 50V 0.33 μ F 20% RLF MONO	C4,5,12,13
7	153H-104K-5-QUA	CM 100V 0.1 μ F 10% RL 9X11 CENTRALAB	C7,15,17,18,19,20,22
2	153H-333K-5-MRA	CM 100V 0.033 μ F 10% RL 7X9.5	C8,16
2	153H-683K-5-PSA	CM 100V 0.068 μ F 10% RL	C64,65
1	157C-477M-5-OU	CE 10V 470 μ F 20% RL 8X11	C24
2	157D-107M-5-KW	CE 16V 100 μ F 20% RL 6x12	C21,25
1	157D-476M-5-IU	CE 16V 47 μ F 20% RL 5x11	C26
2	157E-106M-5-IU	CE 25V 10 μ F 20% RL 5x11	C23,30
5	157F-225M-5-IU	CE 50V 2.2 μ F 20% RL 5x11	C1,2,9,10,28
1	157F-225M-5-IU	CE 50V 2.2 μ F 20% RL 5x11	
1	2101-1357-0	WAFER JM2411-8 8PIN	CN3
1	2101-9790-0	4RCA JACK HSP-204V-03 GP	RCA1
8	3131-6140-0	IC BA4560 ROHM	U1,2,3,4,5,6,7,8
1	3700-4536-RG	L-115W EGW/209EGW RED/GR ELE-LED02	LED1
4	4701-102J-2	RCF 1/8W 1K 5% AT	R11,34,71,73
23	4701-103J-2	RCF 1/8W 10K 5% AT	R3, 6, 10, 15,16, 18,19, 21, 23, 26, 29, 33, 38, 39, 41, 42, 44, 46, 60, 62, 70, 76, 79,
2	4701-104J-2	RCF 1/8W 100K 5% AT	R7,30
1	4701-125J-C	RCF 1/8W 1.2M 5% ATS	R64
2	4701-153J-2	RCF 1/8W 15K 5% AT	R48,52
1	4701-162J-2	RCF 1/8W 1.6K 5% AT	R56
8	4701-222J-2	RCF 1/8W 2.2K 5% AT	R12,13,35,36,49,53,66,68,
1	4701-224J-2	RCF 1/8W 220K 5% AT	R78
1	4701-225J-2	RCF 1/8W 2.2M 5% AT	R65
6	4701-273J-2	RCF 1/8W 27K 5% AT	R17, 22, 40, 45, 51, 55
4	4701-303J-2	RCF 1/8W 30K 5% AT	R1,24,50,54,
1	4701-391J-2	RCF 1/8W 390R 5% AT	R57
2	4701-471J-2	RCF 1/8W 470R 5% AT	R63,74
4	4701-472J-2	RCF 1/8W 4.7K 5% AT	R58,59,69,72,
1	4701-563J-2	RCF 1/8W 56K 5% AT	R77
1	4701-682J-2	RCF 1/8W 6.8K 5% AT	R37
1	4701-683J-2	RCF 1/8W 68K 5% AT	R67
4	4718-101J-C-X	RMF 1W 100R 5% ATS METAL OXIDE	R8,9,31,32
1	4750-5510-0	VR 20KBX2 VR16G20K15B20K L=15MM	VR1
1	4750-5520-0	VR 20KAX1 VR16N20K15A20K L=15MM	VR2
1	4750-5530-0	VR 10KBX1 VR16N20K15B10K L=15MM	VR3
1	4837-3V36-2	DZ 1/2W +-5% 3.3V TEMIC AT	Z3
2	4837-5V16-2	DZ 1/2W 5.1V "TEMIC" AT	Z1,2
2	4840-8060-2	DIODE 1N4148 NS	D1,2
3	4860-8710-5	TR 9012H	Q3,4,7
4	4860-8720-5	TR 9013H SAMSUNG	Q1,2,5,6
1	5200-3281-0-06	SW COMAX SK-22D01-SG6-T-NS-IK	SW1

PARTS LIST

PRE AMP SECTION PRINTED CIRCUIT BOARD ASSEMBLY CONTINUED

QTY	PART NO	DESCRIPTION	LOCATION
2	4701-123J-2	RCF 1/8W 12K	R20, 43
2	4701-912J-2	RCF 1/8W 9.1K	R4, 27
1	7010-2221-0	3 PIN SHIELD WIRE ASSY L=130MM	CN1
1	7010-2222-0	3 PIN FLAT CABLE ASSY L=100MM	CN2
1	7011-3240-0	2254 1533 #26 2X2PIN BRN 100MM 1-51-112	CN4
2	7011-4570-0	AMP108U AWG26 180MM BRWN NALX2 1-51-274	CN5,6
2	8910-0042-0	CE 50V 300 μ F RL 10% NON-POLARITY	C6,14
1	1725-296A-0002	PCB POWER AMP REV:E FC380C	

POWER AMP SECTION PRINTED CIRCUIT BOARD ASSEMBLY

QTY	PART NO	DESCRIPTION	LOCATION
4	150F-101K-5-IEA	CC 50V 100P 10% RL 5X3	C39,40,64,65
2	150F-104M-N-FD	CC 50V 0.1 μ F 20% RLF	C53,54
1	150F-334M-N-JJA	CC 50V 0.33 μ F 20% RLF MONO	C36
1	150F-470K-5-IEA	CC 50V 47P 10% RL 5X3	C38
2	150F-471K-5-IEA	CC 50V 470P 10% RL 5x3	C32,33
2	150F-681J-5-OI	CC 50V 680PF 5% RL 8X5	C42,43
2	150H-472M-5-IE	CC 100V 4700PF 20% RL 5X3 TEC	C61,62
1	153H-102K-5-INA	CM 100V 0.001 μ F 10% RL 5X7.5	C37
3	153H-104K-5-QUA	CM 100V 0.1 μ F 10% RL 9X11 CENTRALAB	C35,57,58
1	153H-224K-5-VYA	CM 100V 0.22 μ F 10% RL 11.5X13	C47
1	153I-154J-9-NL	CM 63V 0.15 μ F 5% RB 7.5x6.5	C31
2	157D-227M-5-KW	CE 16V 220 μ F 20% RL 6x12	C55,56
1	157E-106M-5-IU	CE 25V 10 μ F 20% RL 5x11	C50
2	157F-105M-5-IU	CE 50V 1 μ F 20% RL 5x11	C34,48
2	157F-225M-5-IU	CE 50V 2.2 μ F 20% RL 5x11	C41,66
1	157F-474M-5-IU	CE 50V 0.47 μ F 20% RL 5X11	C51
2	157I-107M-5-SX	CE 63V 100 μ F 20% RL 10X12.5	C44,45
1	157I-476M-5-OV	CE 63V 47 μ F 20% RL 8X11.5	C52
1	157Q-476M-5-LUA	CE 35V 47 μ F 20% RL 6.5X11 ELNA	C49
1	1806-2393-0	TT-9904 LE 1012A 1X12TX6MM SPRING COIL	L1
3	2101-1231-0	SPADE TERMINAL 6.3X0.8 STRAIGHT	AC1.AC2,VO
1	3130-3020-0	IC LM7915CT REGULATOR	U15
1	3130-3030-0	IC LM7815CT REGULATOR	U14
1	3130-3550-0	IC TA7317P	U13
1	3130-4080-0	IC TL072CP DUAL FET OP AMP T1	U12
1	3130-9150-0	IC LM3080N OTA NATIONAL	U9
2	3131-7220-0	IC TL062 LOW POWER JFET	U10,11
2	4132-1551-0	TERMINAL OUT PUT	SPK+, SPK-
1	4500-8090-0	RELAY RUDH-SH-124D "GOOD SKT"	RLY1

POWERED SUBWOOFER
PARTS LIST
**POWER AMP SECTION
 PRINTED CIRCUIT BOARD ASSEMBLY
 CONTINUED**

QTY	PART NO	DESCRIPTION	LOCATION
10	4701-101J-2	RCF 1/8W 100R 5% AT	R81, 83, 110, 111, 114, 115, 116, 117, 120, 121
2	4701-102J-2	RCF 1/8W 1K 5% AT	R145,146
10	4701-103J-2	RCF 1/8W 10K 5% AT	R85, 88, 89, 92, 99, 100, 101, 103, 130, 137
3	4701-104J-2	RCF 1/8W 100K 5% AT	R96,131,132
2	4701-123J-2	RCF 1/8W 12K 5% AT	R95,109
1	4701-124J-C	RCF 1/8W 120K 5% ATS	R80
1	4701-474J-C	RCF 1/8W 470K 5% ATS	R86
3	4701-153J-2	RCF 1/8W 15K 5% AT	R82,104,105
1	4701-154J-2	RCF 1/8W 150K 5% AT	R90
2	4701-183J-2	RCF 1/8W 18K 5% AT	R134,135
2	4701-202J-2	RCF 1/8W 2K 5% AT	R98,147
2	4701-203J-2	RCF 1/8W 20K 5% AT	R84,93
1	4701-243J-2	RCF 1/8W 24K 5% AT	R97
1	4701-272J-2	RCF 1/8W 2.7K 5% AT	R108
2	4701-333J-2	RCF 1/8W 33K 5% AT	R136,138
1	4701-334J-2	RCF 1/8W 330K 5% AT	R102
2	4701-391J-2	RCF 1/8W 390R 5% AT	R106,107
1	4701-473J-2	RCF 1/8W 47K 5% AT	R87
1	4701-514J-2	RCF 1/8W 510K 5% AT	R91
3	4701-562J-2	RCF 1/8W 5.6K 5% AT	R124,125,126
3	4701-563J-2	RCF 1/8W 56K 5% AT	R129,133,139
1	4701-913J-2	RCF 1/8W 91K 5% AT	R94
1	4707-152J-2	RCF 1/2W 1.5K 5% AT	R140
4	4718-100J-C-X	RMF 1W 10R 5% ATS METAL OXIDE	R112,113,127,128
2	4719-222J-1-X	RMF 2W 2.2K 5% AL METAL OXIDE	R141,142
4	474B-0R1J-1	RWR 5W 0.1 5% AL	R118,119,122,123
2	474B-271J-1	RWR 5W 270R 5% AL	R143,144
1	4756-2036-3-15	SVR B20K H3 NVZ6TL1 6.3X6.8 HDK	TP1
2	4804-0010-2	DIODE 1N4001 AT	D9,10
1	4840-0720-0	BRIDGE 8A BR84 RECTRON	D11
8	4840-8060-2	DIODE 1N4148 NS	D3,4,5,6,7,8,12,13
1	485D-1390-5	TR BD139-10 PHILIPS HFE63-160	Q14
1	4860-1260-5	TR 2N3906 SAMSUNG RL	Q9
1	4860-1430-5	TR BD140-10 HFE 63-160	Q15
2	4860-8890-0	TR MPS A06 VCE 80V NS	Q12,13
2	4860-8910-0	TR MPS A56 VCE 80V NS	Q11,20
1	8910-0196-0	THERMISTOR NTH4G 10K 1% MURATA	TH1
2	8910-0492-0	CE 63V 12000µF 20% RL 36X45	C59,60
1	1725-296A-0002	PCB POWER AMP REV:E FC380	
2	4860-5050-5	TR 2SC5200 T0-3P (L) TOSHIBA	Q17,19
2	4860-5060-5	TR 2SA1943 T0-3P (L) TOSHIBA	Q16,18

PARTS LIST

VOLT SELECTOR SECTION PRINTED CIRCUIT BOARD ASSEMBLY

QTY	PART NO	DESCRIPTION	LOCATION
2	153Z-103M-5-7T	CM 275V 0.01UF 20% RL 18X10.5	C69,70
1	5200-3627-0	SL14-22AH (1A) SW 2P2T AC SELECTOR	SW2
1	1723-780A-0000	PCB VOLT SELECTOR REV:C FC310C	
14	2101-1231-0	SPADE TERMINAL 6.3X0.8 STRAIGHT	1, 2, 3, 4, 5, 6, L, N, SW2-1, SW2-2, SW2-3, SW2-4

PRE AMP & POWER AMP ASSEMBLY

QTY	PART NO	DESCRIPTION	LOCATION
1	1402-3070-0	X'FORMER MTG. BKT	T1
1	1403-6420-0	REAR PANEL FC380C	T1
1	153Z-104M-5-7W	CM 275V 0.1μF 20% RL 18X12 PCX2 335M MD104 PILKO	C63
1	1725-327A-0000	INSULATION PCB-3	PANEL
1	1806-2415-0	TT-00018 TOROIDAL TRANSFORMER 15V/230V	T1
4	2103-7001-0	BINDING POST RED	SPK IN+
4	2103-7101-0	BINDING POST BLK	SPK IN-
3	2436-6501-1	VOL/FREQ KNOB	VR FREQ PHAS
8	2600-3005-0800	METAL WASHER M3X0.5X8MM ZNC	PWRM-PCB, Q16. 17, 18, 19
8	2600-5008-1000	METAL WASHER M5X0.8X10MM YZ	SPK IN+
1	2606-3005-0643	INT TEETH WASHER M3X0.5X6.4MM BZ	PANEL
1	2606-4008-0853	INT TOOTH WASHER M4X0.8X8.5MM BZ	EARTH
15	2607-3009-0550	SPRING WASHER M3X0.9X5.5MM ZNC	FOR PCB,IEC1,PWRM PCB, Q16, 17, 18, 19, VOLT-PCB
5	2607-4010-0704	SPRING WASHER M4X1X7MM NI	EARTH
2	2640-3022-0540	M3 NUT	IEC1
5	2640-4030-0704	NUT HEX M4	EARTH,T1
2	2842-6213-0	METAL WASHER (6X1.0X13MM)	T1
2	2904-2608-3000	SCREW BH M2.6X 8 MM BZ CROSS	FOR PANEL,FOR PCB
8	2904-3006-3000	SCREW M3X6 BINDING (BLK)	PANEL,VOLT-PCB
2	2904-3010-3000	SCREW M3X10 (BLK)	IEC1
5	2904-4010-3000	SCREW M4X10 (BLK)	PANEL,T1
5	2954-3008-3000	T3X8MM SELF TAPPING	H.S,RCA1
4	2954-3010-3000	B-TITE 3X10MM (BLK.ZN)	H.S
8	2954-3014-3000	B-TITE 3X14MM(BLK.ZN)	Q16,17,18,19
4	3100-3171-0	MICA SHEET A (24X20)	Q16,17,18,19
1	4133-2090-0	2204-3 MTG BKT	PWRM PCB
4	4135-0271-0	BRASS TUBE 6XM3X12MM	REAR PANEL
1	4153-1250-0	2209 SW COVER 1-41-112	SW1
1	4153-3800-0	POWER INLET SOCKET SC9F-21	IEC1
2	5120-0079-0	FUSE T3.15A 250V 5X20MM UR & SEMKO	IEC1
1	5200-4725-0	SWITCH ROCKER 2P1T	SW2

POWERED SUBWOOFER
PARTS LIST
**PRE AMP & POWER AMP ASSEMBLY
CONTINUED**

QTY	PART NO	DESCRIPTION	LOCATION
1	5400-3351-0	HEAT SINK FC380C	Q16,17,18,19
1	5400-3361-0	HEAT SINK PLATE FC380C	HEAT SINK
7	6360-0011-0	PLASTIC CABLE TIE 97MM	T1/IEC1/SPK
2	7010-2217-0	250 T'NAL ASSY L=120MM RED	IEC1
2	7010-2218-0	250 T'NAL ASSY L=100MM RED	SW3
2	7010-2219-0	250 TNAL ASSY L=100MM BROWN	SW3
1	7010-2223-0	RING T'NAL ASSY L=80MM G/Y	EARTH
1	7010-2236-0	250 TNA'L ASSY L=130MM BROWN	IEC1
1	7010-2237-0	HOUSING ASSY JP2411-8P L=100	FOR SPK/IN

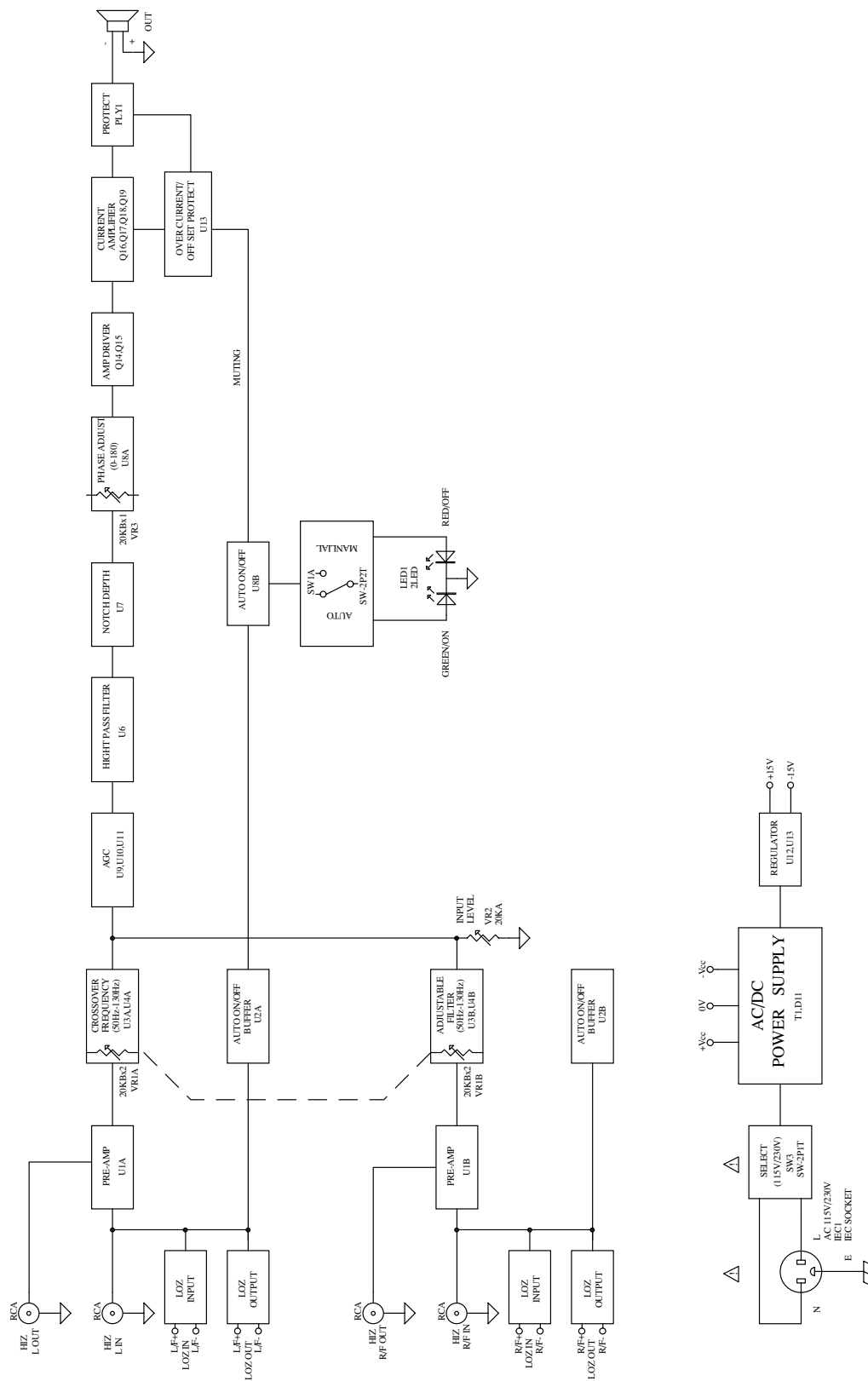
8" SPEAKER ASSEMBLY

QTY	PART NO	DESCRIPTION	LOCATION
1	8900-5760-0	8"WOOFER F-SUB	

POWER CORD CABLE ASSEMBLY

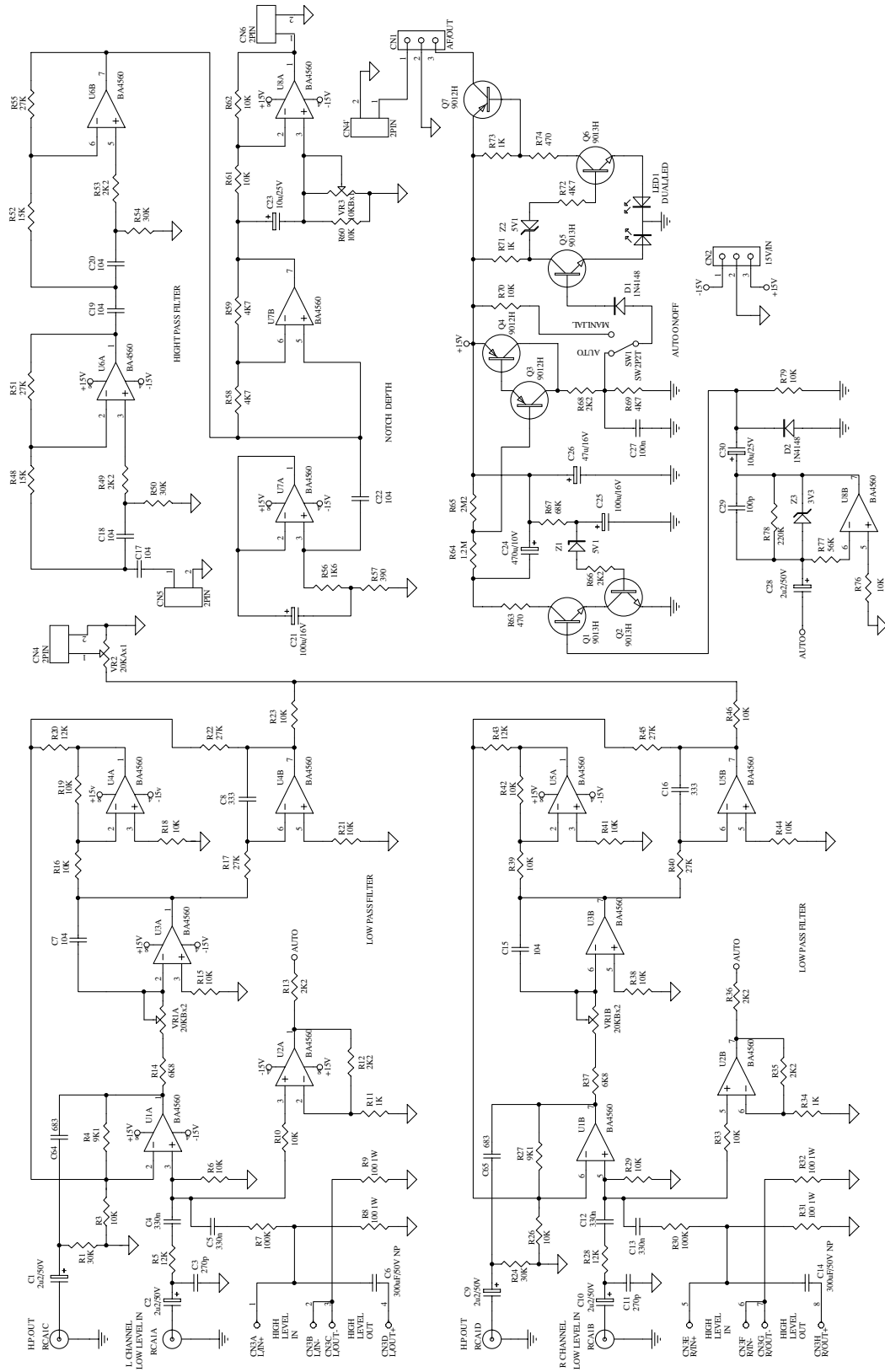
QTY	PART NO	DESCRIPTION	LOCATION
1	7011-6220-0	H05VV-F 0.75MM/3C 2M BLK	*EU
1	7011-5030-0	TC1490GP 3CORE CORD 1/P	*UK
1	7011-6210-0	SJT #18 /3C 2M BLK POWER	*US

BLOCK DIAGRAM



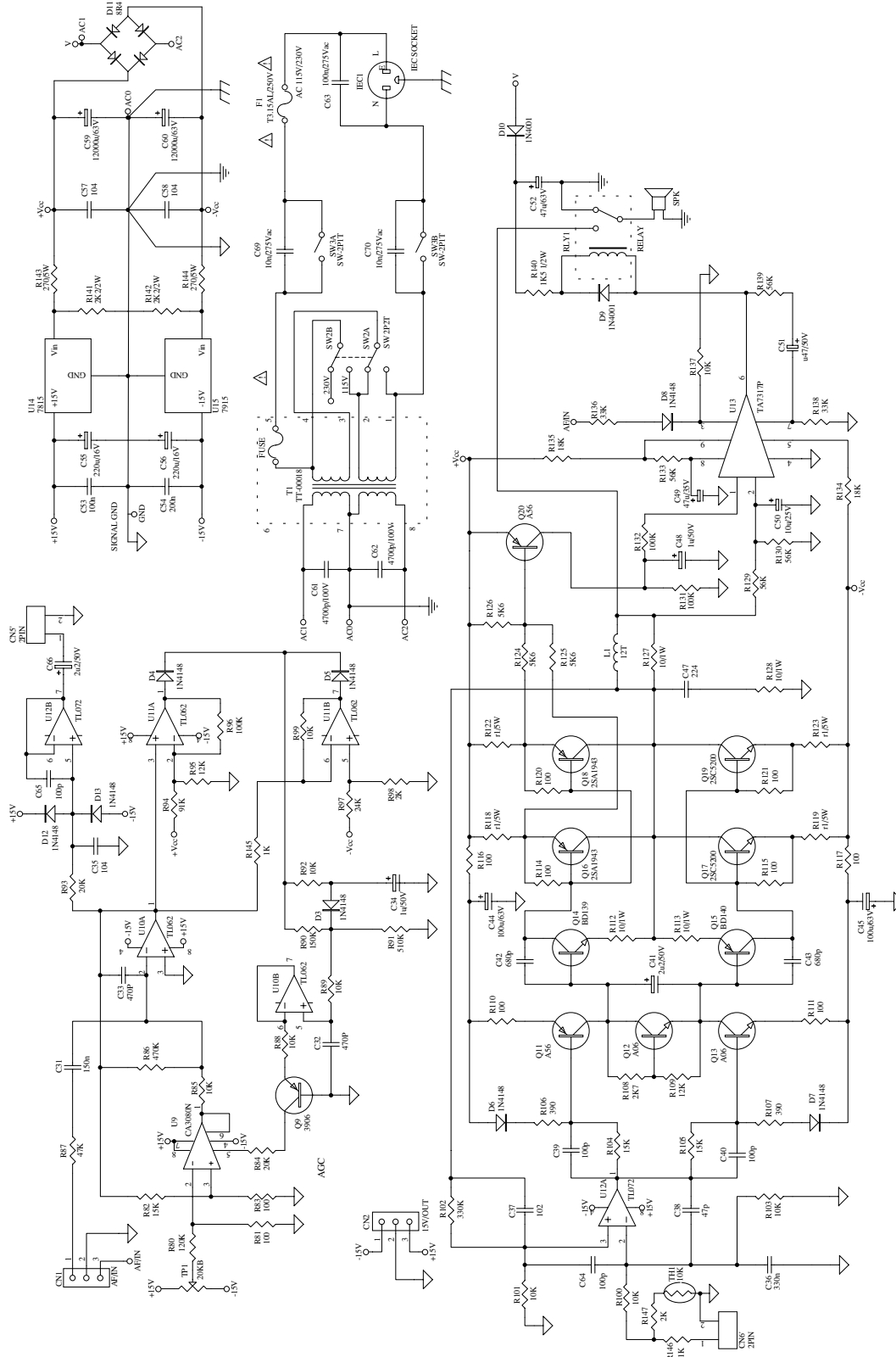
SCHEMATICS DIAGRAMS

Pre Amp Schematic



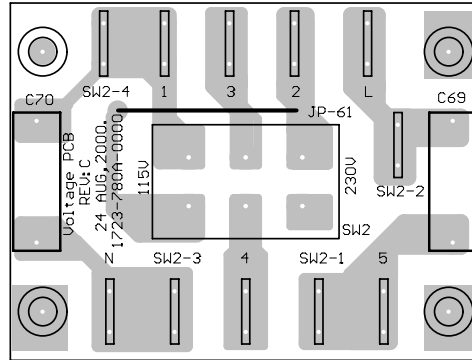
SCHEMATICS DIAGRAMS

Power Amp Schematic

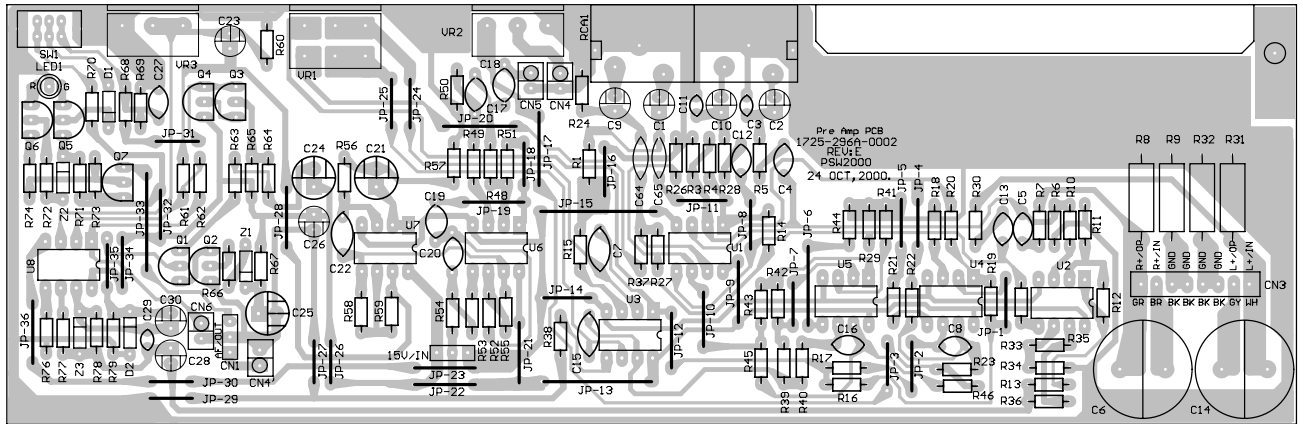


POWERED SUBWOOFER

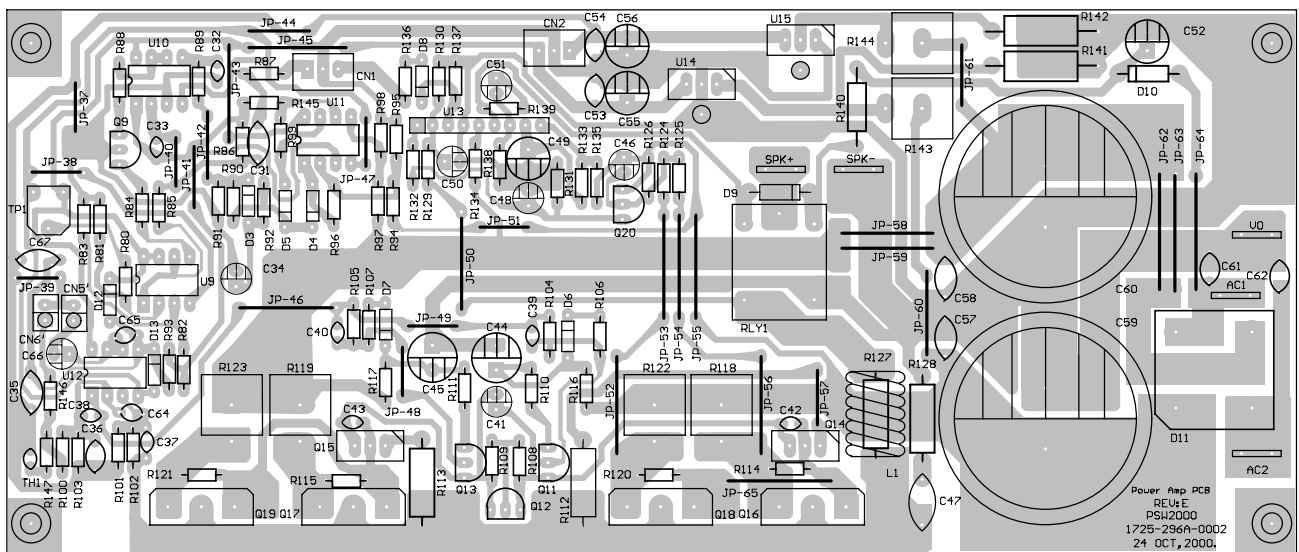
PCB LAYOUT



Voltage Selector PCB Component Side

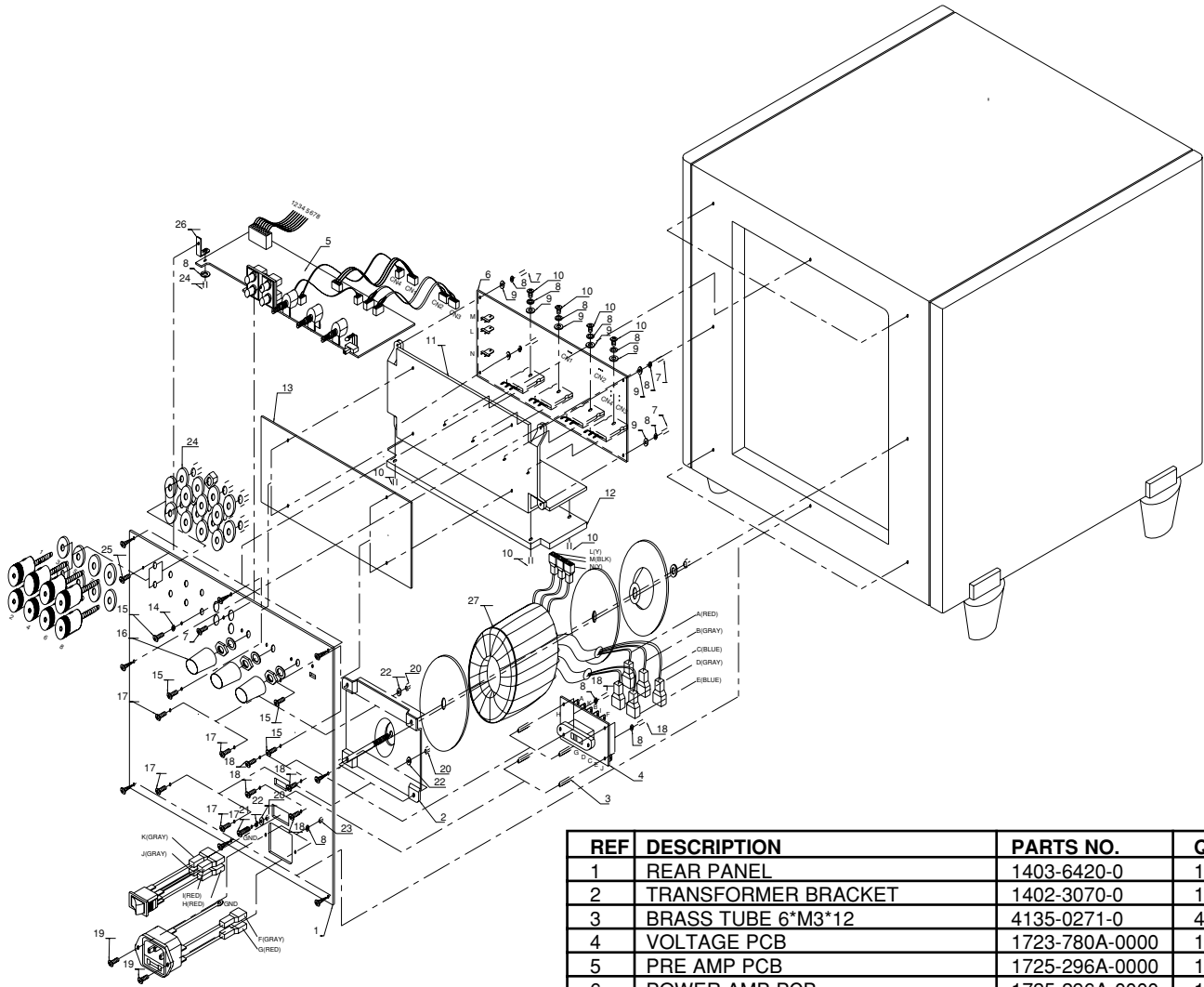


Pre Amplifier PCB Component Side



Power Amplifier PCB Component Side

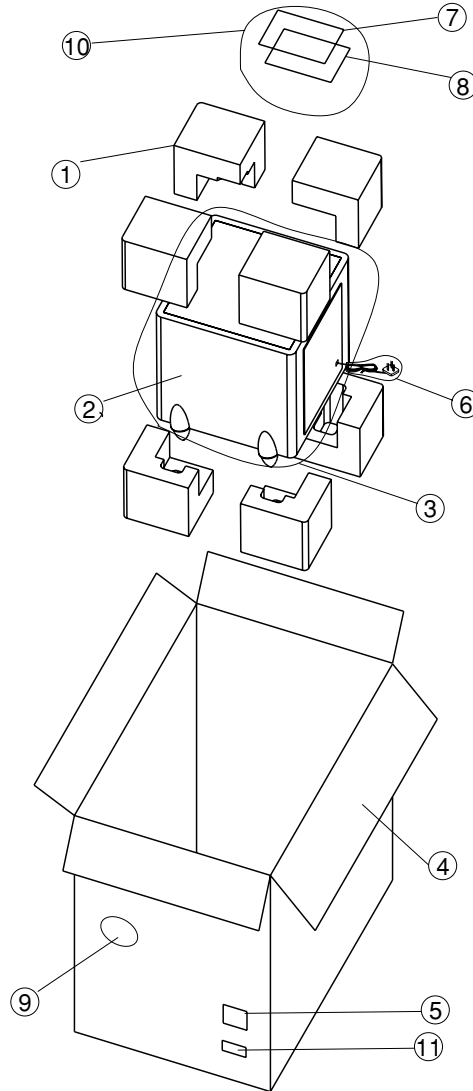
EXPLODED VIEW DIAGRAMS



REF	DESCRIPTION	PARTS NO.	QTY
1	REAR PANEL	1403-6420-0	1
2	TRANSFORMER BRACKET	1402-3070-0	1
3	BRASS TUBE 6*M3*12	4135-0271-0	4
4	VOLTAGE PCB	1723-780A-0000	1
5	PRE AMP PCB	1725-296A-0000	1
6	POWER AMP PCB	1725-296A-0000	1
7	T3*8MM SELF TAPPING	2954-3008-3000	5
8	SPRING WASHER M3*0.9*5.5MM	2607-3009-0550	15
9	METAL WASHER M3*0.5*8MM	2600-3005-0800	8
10	M3*14MM B-TITE (BLK.Zn)	2954-3014-3000	8
11	HEATSINK	5400-3351-0	1
12	HEATSINK PLATE	5400-3361-0	1
13	INSULATION PCB-3	1725-327A-0000	1
14	INT TEETH WASHER M3*0.5*6.4MM	2606-3005-0643	1
15	B-TITE 3*10MM (BLK.Zn)	2954-3010-3000	4
16	VOL/FREQ KNOB	2436-6501-1	3
17	SCREW M4*10 (BLK)	2904-4010-3000	5
18	SCREW M3*6 BINDING (BLK)	2904-3006-3000	8
19	SCREW M3*10 (BLK)	2904-3010-3000	2
20	NUT HEX M4	2640-4030-0704	5
21	INT TOOTH WASHER M4*0.8*8.5MM	2606-4008-0853	1
22	SPRING WASHER M4*1*7MM NI	2607-4010-0704	5
23	M3 NUT	2640-3022-0540	2
24	METAL WASHER M5*0.8*10MM	2600-5008-1000	8
25	SCREW BH M2.6*8MM BZ CROSS	2904-2608-3000	2
26	MTG BRACKET	4133-2090-0	1
27	TRANSFORMER	1806-2415-0	1

EXPLODED VIEW DIAGRAMS

PSW2000 Packing Exploded View



REF	DESCRIPTION	PARTS NO.	QTY
1	P.FOAM FOR PSW1000/S8	1490-7343-0	4
2	CABINET FOR EGG GRAY	1403-4400-0	1
3	P.BAG 400*450*600	1497-4642-0	1
4	M.BOX FOR PSW2000	145A-6510-0	1
5	UPC LABEL FOR PSW2000 (EU)	3000-6621-0	1
	UPC LABEL FOR PSW2000 (UK)	3000-6623-0	1
	UPC LABEL FOR PSW2000 (US)	3000-6622-0	1
6	P.BAG 10**12' W/ES GREEN	1497-4102-0	1
7	MANUAL FOR PSW2000	4301-5166-0	1
8	W.CARD KAL926EFG REG	4301-6016-0	1
9	VOLTAGE LABEL FOR PSW2000	3000-6628-0	1
10	P.BAG 10**14' W/ES GREEN	1497-4122-0	1
11	BARCODE S/N LABEL	3000-6333-0	1

KEF AUDIO (UK) Limited,

Eccleston Road, Tovil, Maidstone, Kent, ME15 6QP UK
Telephone: +44 (0) 1622 672261 Fax: +44 (0)1622 750653

KEF America.

10, Timber Lane, Marlboro, New Jersey. 07746. USA.
Telephone: +00 (1) 732 683 2356 Fax: +00 (1) 732 683 2358

www.kef.com